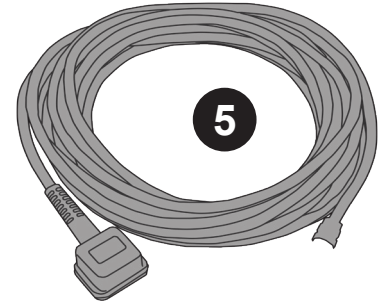
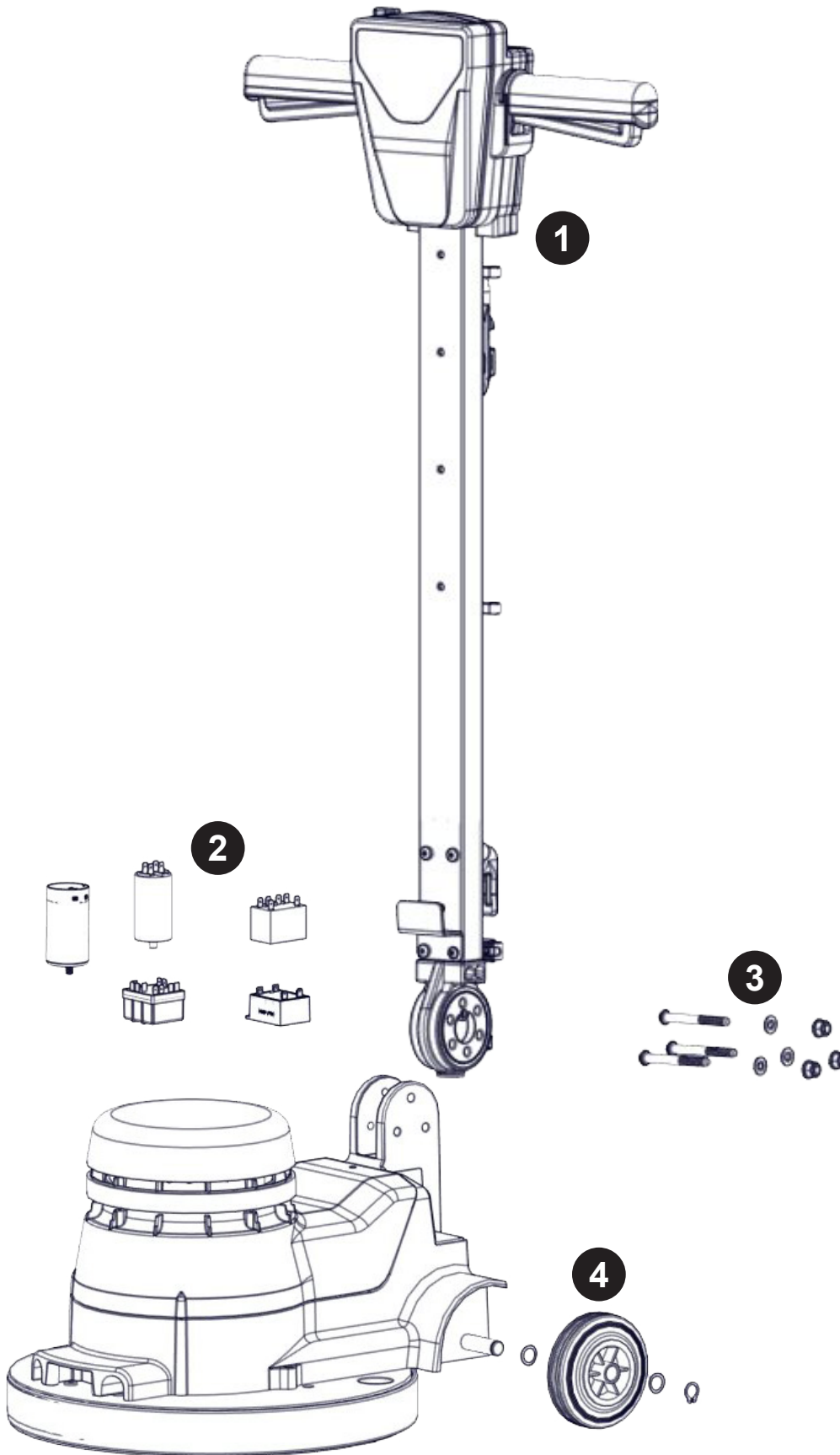


# NR1500G Exploded Spares

Compact Scrubber Dryer



**NR1500G**

Brush Speed **150** rpm

\* Heavy Duty Scrubbing

Num	Description	Num
1	NR.HANDLE ASSEMBLY.230V	577445
	MOTOR RUN CAPACITOR 20 MFD 450V REF: 4.16.10.25.DA	220876
	MOTOR START CAPACITOR 98uf C/W 39K RESISTOR & M8 STUD.DUCATI; 412.80.C106	208265
2	UNIVERSAL POWER SUPPLY	206753
	240V / 25A RELAY (G7L-2A-T 200-240V AC COIL)	206575
	230V SINGLE SPEED VOLTAGE RELAY	902715
	M8.70MM LG.HEX.BOLT.Z/PL	219213
3	WASHER.M8.FORM A.Z/PL	219010
	NUT.M8.NYLON INSERT.Z/PL	219078
	WHEEL GREY BLACK HUB	229060
4	WASHER.WAVE.21.5MM.16.3MM	219219
	EXTERNAL CIRCLIP 7100-016	229051
5	15.0MT X 1.5MM X 3 CORE CABLE (SOCKET + PLUG) UK	236072

## NR.1500G

606203	450mm Polyscrub Scrubbing Brush (Heavy Duty for Toughest Marks)	606401	400mm PadLoc Drive Board
606204	450mm Nyloscrub Shampoo Brush (Shampooing and Delicate Floors)	606411	400mm Flexi PadLoc Drive Board
606207	Wire Scarifying Brush (Preparation of Concrete Flooring)	606700	400mm Porcupine Pad Holder
606208	400mm Carbotex Grinding Disc (Highly Abrasive)	612002	20m Cable roll Extension UK (Extension Lead)
606209	400mm Sandotex Drive Disc (Highly Abrasive)	612003	20m Cable Roll Extension EURO (Extension Lead)
606211	400mm Heavy Duty Scarifying Disc (Heavy Duty with 6 SpiroTex Heads)	900525	400mm NuLoc2 Drive Board TT - TTB 4045
606305	450mm LongLife Scrubbing Stripping Brush (For Heavy Soiled Traffic Areas)	900969	Nuplex Pads - 3 Pack 430mm
606306	450mm LongLife Scrubbing Brush (For Heavy Soiled Traffic Areas)	900974	Nuplex Pads - 5 Pack 430mm
606307	450mm LongLife Light Scrubbing Brush (For Heavy Soiled Traffic Areas)	606084	NR Solution Tank
		606113	NR 10Kg Weight for NR1500S

Disclaimer: Many factors beyond Numatic International Ltd control plus end user knowledge and control can affect the use and performance of a Numatic International Ltd product in a particular application.

The user is solely responsible for evaluating Numatic International Ltd products and evaluating if said product is suitable for a particular purpose and user's method of application.

**Numatic International Limited (Head Office)**  
Chard, Somerset TA20 2GB, UNITED KINGDOM  
Tel: 01460 68600 numatic.com

**Numatic International GmbH**  
Fränkische Straße 15-19, 30455 Hannover,  
DEUTSCHLAND Tel: +49 (0) 511 984 2160 numatic.de

**Numatic International Denmark**  
Fränkische Straße 15-19, 30455 Hannover, DEUTSCHLAND  
Tel: +45 (0) 316 40808 numatic-online.dk

**Numatic International S.A.S**  
13/17 rue du Valengelier, EAE la Tuilerie, 77500 Chelles, FRANCE  
Tel: +33 (0) 164 726 161 numatic.fr

**Numatic International BV**  
Vennotsweg 15, 2404 CG, Alphen aan den Rijn, NEDERLAND  
Tel: +31 (0) 172 467 999 numatic.nl

**Numatic International Schweiz AG.**  
Sihlbruggstrasse 3A, 6340 Baar, SCHWEIZ  
Tel: +41 (0) 41 768 0760 numatic.ch

**Numatic International (PTY) Ltd.**  
Cnr. 16th & Pharmaceutical Road, Randjes Park,  
Midrand 1685, SOUTH AFRICA  
Tel: +27 (0) 861 686 284 numatic.co.za

**Numatic International ULDA**  
Rua Francisco da Silva Duarte, nº79,  
4475-269 Santa Maria de Avioso, Castêlo da Maia, PORTUGAL  
Tel: +351 220 047 700 numatic.pt

**Numatic International Spain, S.L.U.**  
Av. Baix Llobregat, 5-7, Oficina bajos 1 (Parc Negocis Mas Blau II)  
08820 El Prat de Llobregat (Barcelona), SPAIN  
Tel: +34 93 647 22 22 numatic.es

**Numatic International Italy S.R.L**  
Via Luigi Galvani, 2, Z.I. Talponedo, 33080 Porcia (PN), ITALY  
Tel: +39 (0) 434 046 211 numatic.it

**Edco, Edgar Edmondson Pty Ltd**  
Head Office: PO Box 198, Marrickville, NSW 1475, AUSTRALIA  
Delivery & Shipping Address  
18 Garden St, Marrickville, NSW 2204, AUSTRALIA  
Office Number: +61 (0)2 9557 4411, Fax Number: +61 (0)2 9519 9223,  
Email: orders@edmondson.net.au ABN: 27 000 450 144

**Proquip NZ Ltd**  
7a Peterkin Street, Taita, Lower Hutt, 5019  
Tel: +64 4 566 7847, Fax: +64 4 576 0430  
Web: www.proquipnz.co.nz